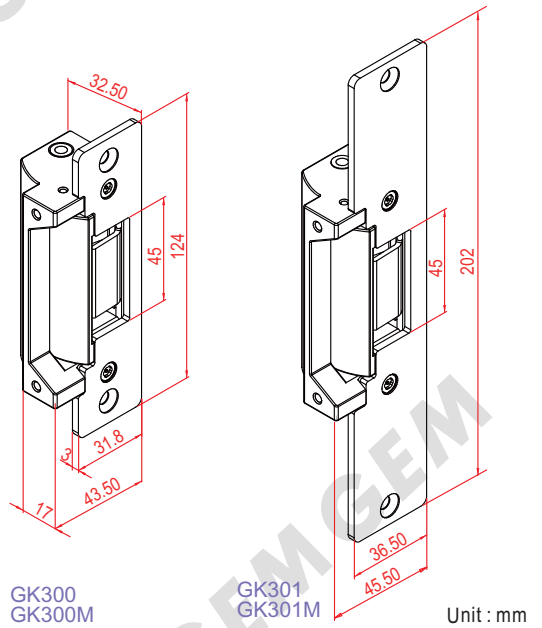


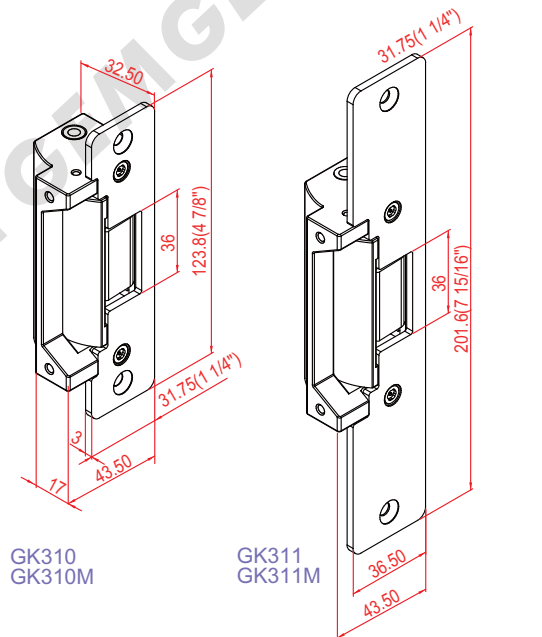
● Statement

GK300 series, ANSI-size electric strikes, accommodate up to 15 mm latch throw in cylindrical or mortise locksets without a deadbolt. They operate on a single voltage solenoid, 12 or 24V, and come with an optional latchbolt monitor. Stainless steel faceplates ensure strength and long life. The lock mode is field convertible from either fail-lock to fail-unlock.

● Dimension



Unit : mm



● Patents

- ZL 99 2 48179.1 (China)
- US 6299225 B1 (U.S.A.)
- GB2355753 (UK)
- 166716 (Taiwan)

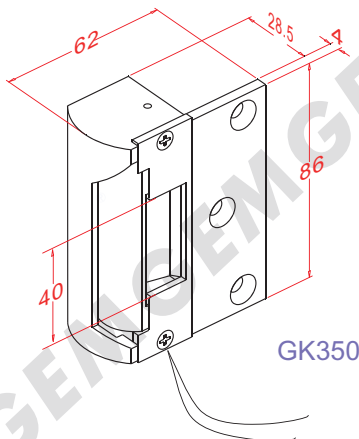
GIANNI INDUSTRIES, INC.

Door Frames

Model Comparison List

Models	Door Frames	Latch Monitoring Switch	Application Locksets	Installation	Optional Accessories
GK300	Hollow Metal Frame		Spring latch	Flush Mount	LP-025,LP-050
GK300M	Hollow Metal Frame	●		Flush Mount	LP-025,LP-050
GK301	Wood Frame			Flush Mount	LP-025,LP-050
GK301M	Wood Frame	●		Flush Mount	LP-025,LP-050
GK310	Hollow metal Frame		Latch-bolt lock	Flush Mount	LP-025,LP-050
GK310M	Hollow metal Frame	●		Flush Mount	LP-025,LP-050
GK311	Wood Frame			Flush Mount	LP-025,LP-050
GK311M	Wood Frame	●		Flush Mount	LP-025,LP-050
GK350	Hollow metal & Wood Frame		Night Latch	Surface Mount	

Dimensions



Unit:mm

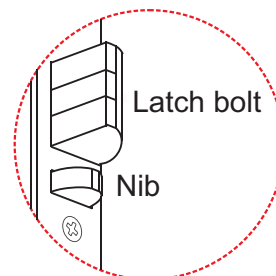
Specifications

- Operating Voltage: 12VDC (24VDC available by special order).
- Current Draw: 0.25A/12 VDC; 0.15A/24 VDC (at temperature 20°C).
- Sensor Switch monitor output (optional model) Rating: 0.3A/6VDC.
- Operating Temperature: -10~45°C.
- Humidity: 0~95% non-condensing.
- Material: Stainless steel faceplate.
- Tested to 1,000,000 cycles.
- Net Weight (approx.): 380g; 270g(GK350).
- Optional lock base assembly Stainless steel or Zinc alloy for GK300, GK301and GK310.
Aluminum alloy main stand (GK350)
- Optional lock base assembly, Aluminum alloy for GK350 only.

Long Life Solenoids

Special solenoid is designed for strength and long life and guarantees the operating lifetime of at least 1,000,000 times.

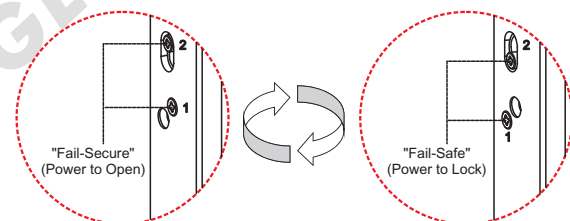
What's latch bolt lock?



A latch bolt lock is a lock comprising a latch bolt and a nib. When the door is closed, the nib makes the latch a deadbolt. The latch bolt locks into the strike keeper in the door frame to make sure that it is closed. Latch-bolt locks are compatible with GK310 and GK311 models.

Version Changeable

The GK-300 electric strike can easily to change between fail-safe and fail-secure modes. This unique design enables distributors to reduce inventory and still meet varying needs and requirements of end users.

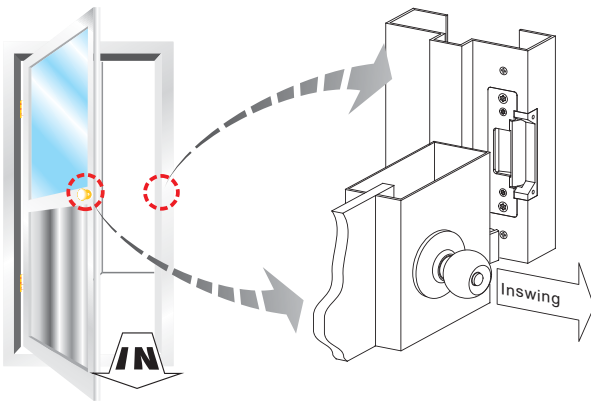


CSIRO Fire-resistance Certificate

This product's materials and parts have been proven to be fire resistant in accordance with the test procedures of Sponsored Investigation FSV 0609 and the terms of clause 4.1 of Australian Standard 1905, Part 1-1997.

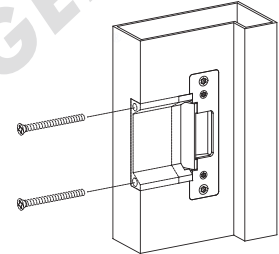
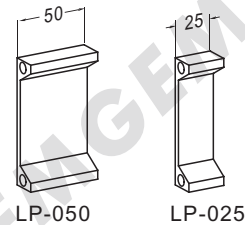
GIANNI INDUSTRIES, INC.

GK300, 310 Hollow Metal Mortise Mount

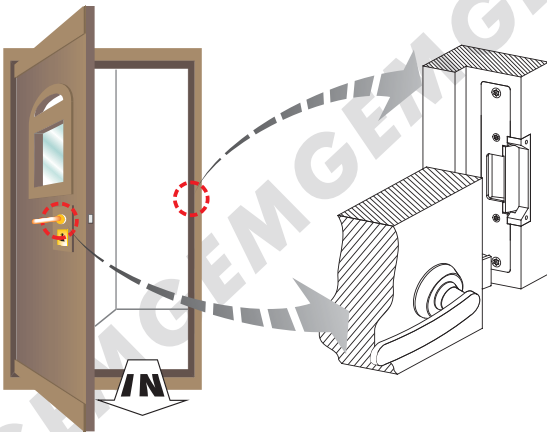


Optional Accessory

Lip extension brackets for the wide jamb.

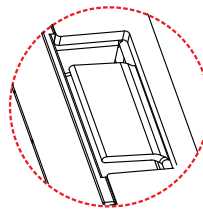


GK301, 311 Wood Frames Mortise Mount



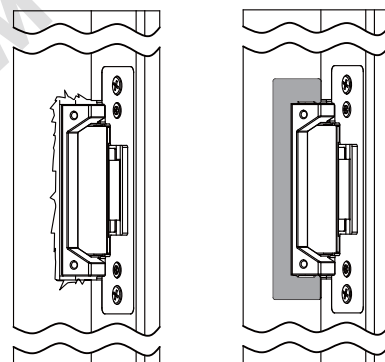
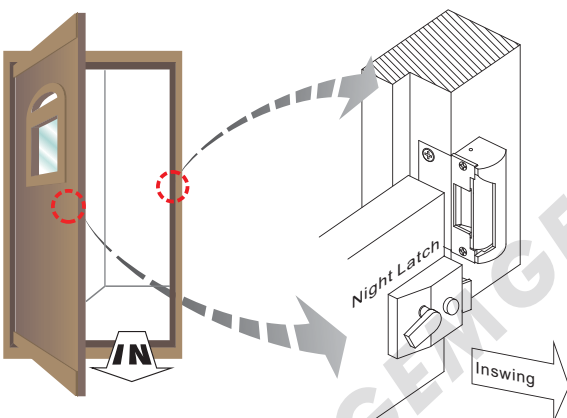
Latch Monitoring Output

"Sensor Switch monitoring output" function indicates the locked or unlocked status.



N.O. dry contact output:
opened status
N.C. dry contact output:
When the micro switch is
pressed by latch bolt

GK350 Surface Mount



The hole cut oversized, it can use trimming plate to cover the gap to beautify the outward appearance.

GIANNI INDUSTRIES, INC.

GK300-9 series ANSI Electric Strike (For narrow doors)



GK300-9
Hollow metal jamb installation



GK300M-9
Hollow metal jamb installation

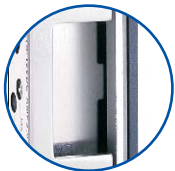
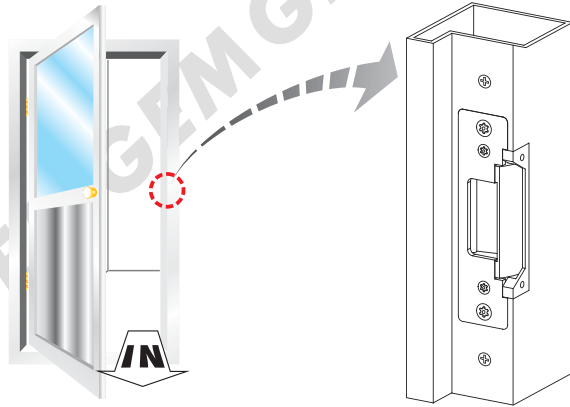


GK301-9
Wooden jamb installation

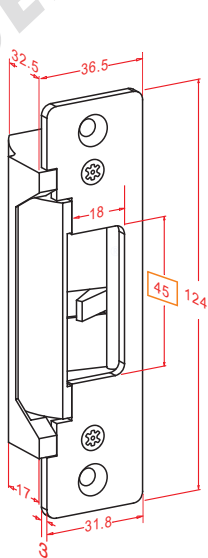


GK301M-9
Wooden jamb installation

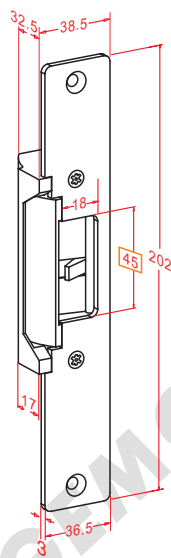
GK300-9 series Narrow Frame Doors Installation



The GK300-9 series electric strikes are designed for use with Door Latch, Max. latch throw 15mm for inswing doors.



GK300-9
GK300M-9



GK301-9
GK301M-9

Unit:mm

Warranty

The product is warranted against defects in material and workmanship while used in normal service for a period of 3 years from the date of sale to the original customer. The GEM policy is one of continual development and improvement; therefore GEM reserves the right to change specifications without notice.

GIANNI INDUSTRIES, INC.

No.13, Zhongxing Rd., Tucheng Dist.,
New Taipei City 23678, Taiwan (R.O.C.)
Tel: +886-2-2267-7986 / Fax: +886-2-2267-9876
E-mail: inquiry1@gianni.com.tw
Website: www.gianni.com.tw